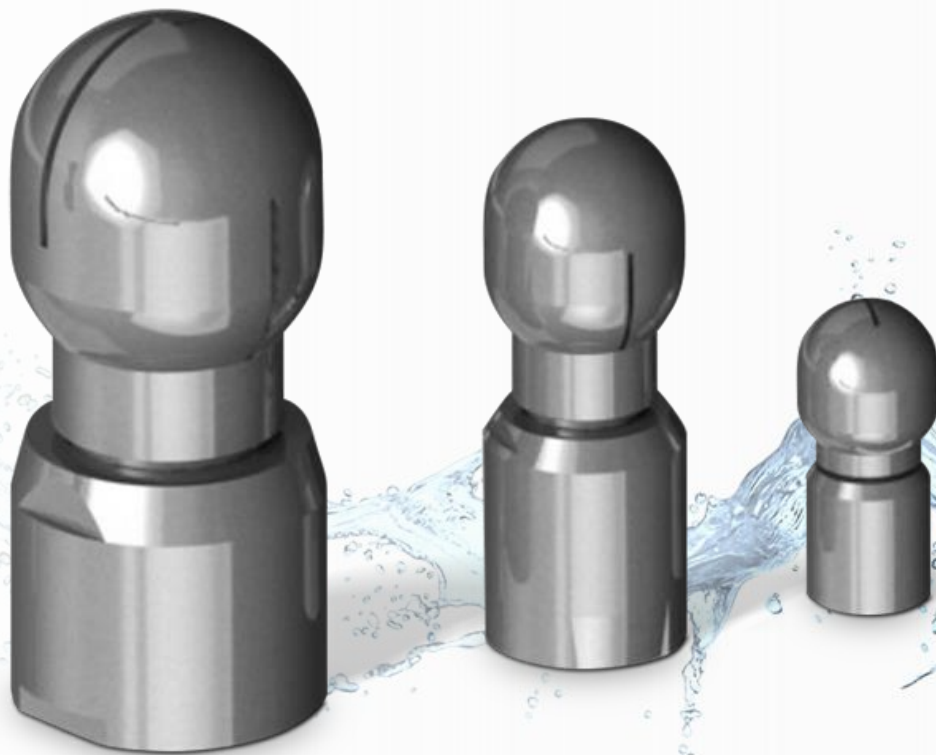


Rotating tank cleaner type TRK



Cleaning of containers, vessels, IBC's etc.

- Media driven rotating spray head
- Resistant to solvents
- Stainless steel version

Rotating tank cleaner type TRK

The Tank Cleaner TRK was developed for the effective cleaning of tanks, tanks, IBCs and other vessels.

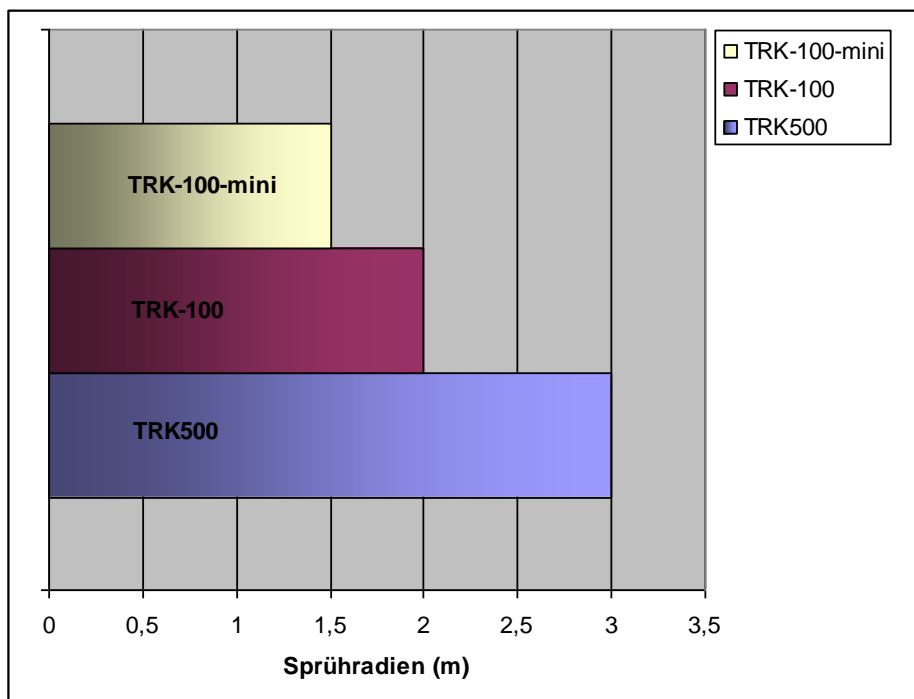
Due to its hygienic construction, it is used in the food industry, beverage industry, pharmaceutical industry as well as in CIP plants.

Due to the media-driven rotation, the entire accessible area is exposed to the cleaning medium.

The TRK cleans itself and is self-draining.

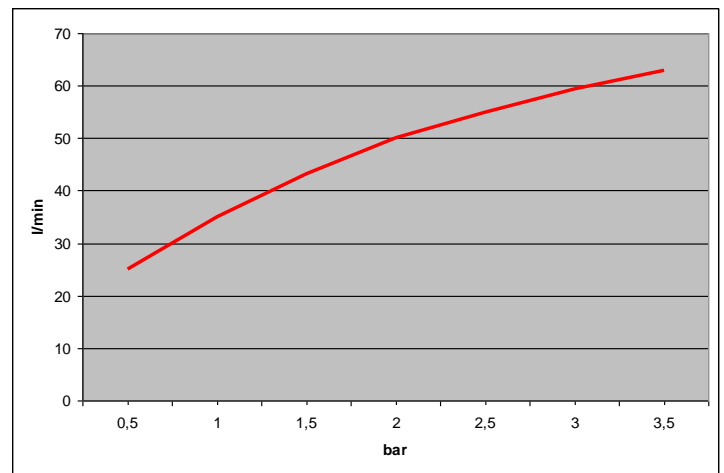
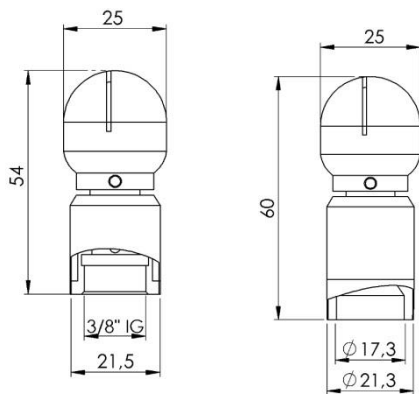
The TRK is available in 3 different sizes and in different versions

The device is maintenance-free and characterized by a long service life.

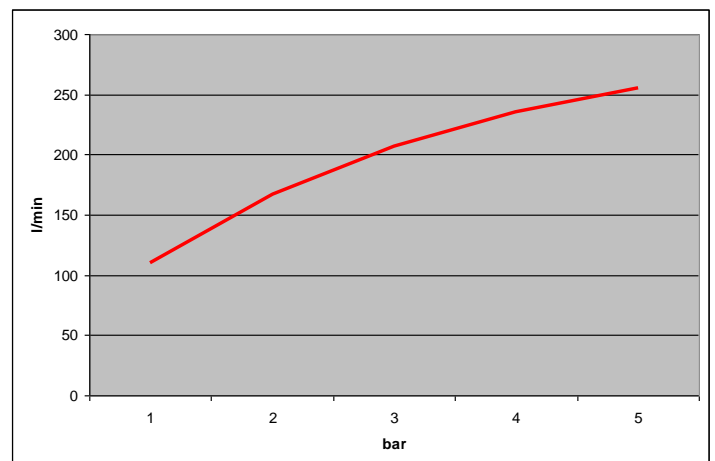
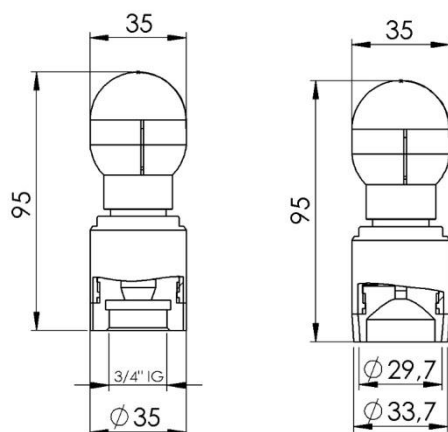


Rotating tank cleaner type TRK

Typ	connection	Temp	spray radius	spray angle	weight	material	Material bearing
TRK-100-mini-G-180	threaded connection 3/8" AG	95°C	to 1,5 m	180°	0,1 kg	1.4404	1.4301
TRK-100-mini-G-360	threaded connection 3/8" AG	95°C	to 1,5 m	360°	0,1 kg	1.4404	1.4301
TRK-100-mini-S-180	Welding end 21,3x2 mm	95°C	to 1,5 m	180°	0,1 kg	1.4404	1.4301
TRK-100-mini-S-360	Welding end 21,3x2 mm	95°C	to 1,5 m	360°	0,1 kg	1.4404	1.4301

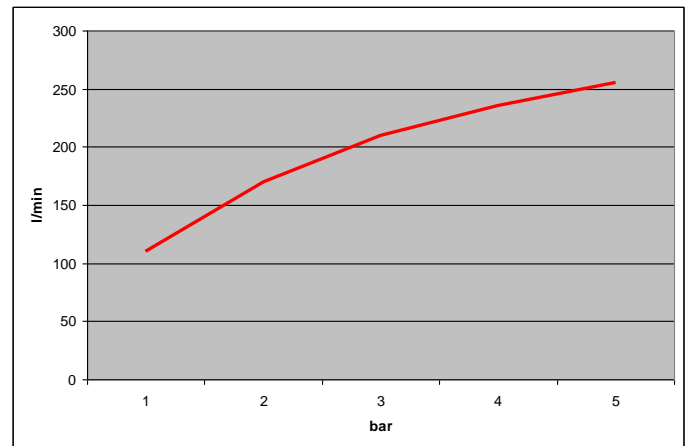
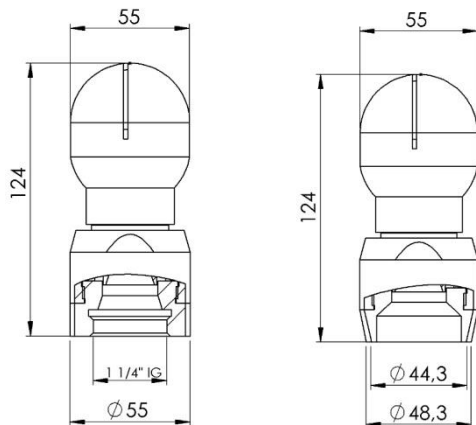


Typ	connection	Temp	spray radius	spray angle	weight	material	Material bearing
TRK-100-G-180	threaded connection 3/4" AG	95°C	to 2 m	180°	0,33 kg	1.4404	1.4301
TRK-100-G-360	threaded connection 3/4" AG	95°C	to 2 m	360°	0,33 kg	1.4404	1.4301
TRK-100-S-180	Welding end 33,7x2 mm	95°C	to 2 m	180°	0,33 kg	1.4404	1.4301
TRK-100-S-360	Welding end 33,7x2 mm	95°C	to 2 m	360°	0,33 kg	1.4404	1.4301



Rotating tank cleaner type TRK

Typ	connection	Temp	spray radius	spray angle	weight	material	Material bearing
TRK-500-mini-G-180	threaded connection 1 1/4" AG	95°C	to 3 m	180°	0,6 kg	1.4404	1.4301
TRK-500-mini-G-360	threaded connection 1 1/4" AG	95°C	to 3 m	360°	0,6 kg	1.4404	1.4301
TRK-500-mini-S-180	Welding end 48,3x2 mm	95°C	to 3 m	180°	0,6 kg	1.4404	1.4301
TRK-500-mini-S-360	Welding end 48,3x2 mm	95°C	to 3 m	360°	0,6 kg	1.4404	1.4301



Finishes:

- Dead space-free connections
- suitable for the use of chemicals, acids and solvents
- special spray angles
- quick change systems

Mounting options:

- Fastening systems such as flange, clamp or milk pipe screw connection
- Special solutions on request